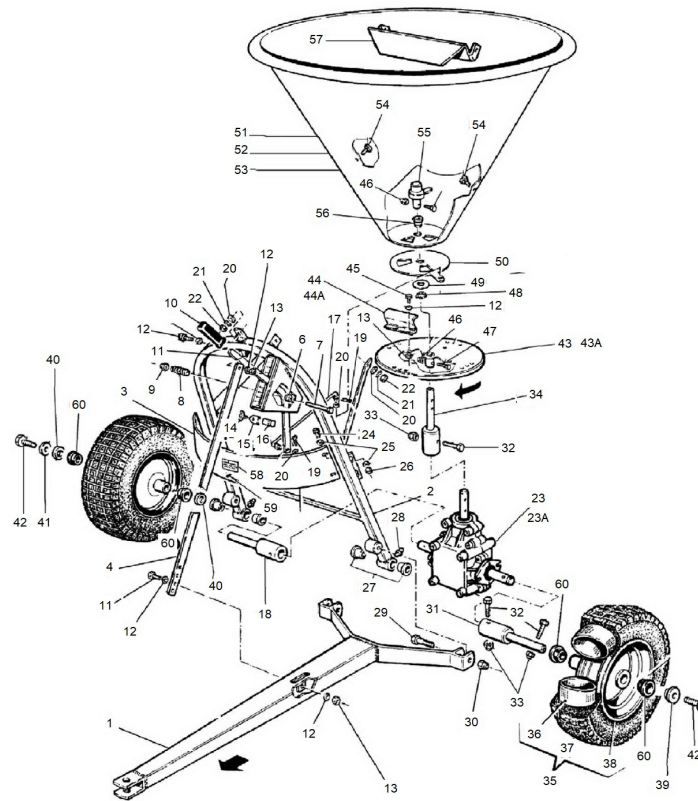


SP150 TRAILED SPREADER



SP150 TRAILED SPREADER

N.	Code	Description	Qty	Note	EAN CODE
2	SP51100		1,00		9327602337930
6	PA25-10-27	BAKERLITE WASHER	0,00		9327602118447
7	BM10L65	BOLT ONLY 10X65 4.6 ZP	1,00		9327602084889
8	PA25-10-26	SPRING	0,00		9327602118416
9	NM10NY	NUT NYLOC M10 ZP DIN985	1,00		9327602032620
10	IMGO-08-20	HANDLE	0,00		9327602025455
11	BM8L30	BOLT ONLY 8X30 4.6 ZP	2,00		9327602025097
12	WM8FT	WASHER FLAT M8X17X1.2 ZP	8,00		9327602023048
13	NM8	NUT HEX STD M8 ZP	6,00		9327602048973
14	5449-06-16	BOLT M6X16	0,00		9327602018044
15	PA25-10-25	INDICATOR	0,00		9327602058910
16	PA25-10-24	FIXING SQUARE	0,00		9327602011793
18	SP51312	LH SHAFT C/W BUSHING SUIT SP150	1,00		9327602120099
19	8010-02-50	R-CLIP 2.0MM	0,00		9327602121546
20	WM10FT	WASHER FLAT 10 X 21 ZP	5,00		9327602034006
21	WM10SP	WASHER SPRING 10MM ZP	3,00		9327602008380
22	NM10	NUT HEX STD M10 ZP	3,00		9327602053816
23	420-610440	GEARBOX	1,00		9327602171633
23A	420-610442	GEARBOX KEYED MK2	1,00	FROM 2017 ONWARDS	9327602324091
24	BM6L16FT	SET SCREW 6X16 4.6 ZP	0,00		9327602021044

SP150 TRAILED SPREADER

N.	Code	Description	Qty	Note	EAN CODE
25	WM6FT	WASHER-FLAT	8,00		9327602023550
26	NM6	NUT-HEX	4,00		9327602048331
27	SP51016	BUSH SUIT FRAME SP150	4,00		9327602125575
30	NM12NY	NUT NYLOC M12X1.75 DIN985	2,00		9327602032163
31	SP51311	RH SHAFT C/W BUSHING SUIT SP150	1,00		9327602119963
33	NM8NY	NUT NYLOC M8 ZP DIN985	4,00		9327602044364
34	SP51314	SHAFT CENTRE MK2	1,00		9327602324107
35	420-610455	WHEEL ASSY	0,00		9327602100343
39	SP52001	WHEEL RETAINER WASHER SUIT SP150	1,00		9327602162341
40	WM20FT	WASHER FLAT 20X32X2.0 ZP	2,00		9327602031623
41	WM8FP	WASHER FLAT PANEL 8X32X1.8 ZP	1,00		9327602048898
42	BM8L20	BOLT ONLY 8X20 4.6 ZP	2,00		9327602022447
43A	420-400325	SPINNER PLATE	0,00		9327602335752
43	SP51005	SPREADING DISC SUIT SP150	1,00		9327602162334
44A	420-400326	VANE	0,00		9327602335769
44	SP51008	VANE	4,00		9327602125223
45	BM8L16	BOLT ONLY 8X16 4.6 ZP	4,00		9327602048393
46	NM6NY	NUT NYLOC M6 ZP DIN985	1,00		9327602044869
47	BM8L35FT	***SET SCREW 8X35 4.6 ZP	0,00		0000000175289
48	7435-32-00	CIRCLIP-EXTERNAL	0,00		9327602021037

SP150 TRAILED SPREADER

N.	Code	Description	Qty	Note	EAN CODE	
49	PA25-10-21	SHIM FS REF11	0,00		9327602132207	
50	PA25-10-18	DOSING DISC 2 HOLE ZINC PLATED	0,00		9327602010413	
52	SP151001	HOPPER FSP 150	0,00		9327602337923	
55	SP51011	AGITATOR	1,00		9327602027909	
56	SP51012	GUIDE BUSH	1,00		9327602028043	
60	SP52002	AXLE BUSH SUIT SP150 SPREADER	4,00		9327602022898	