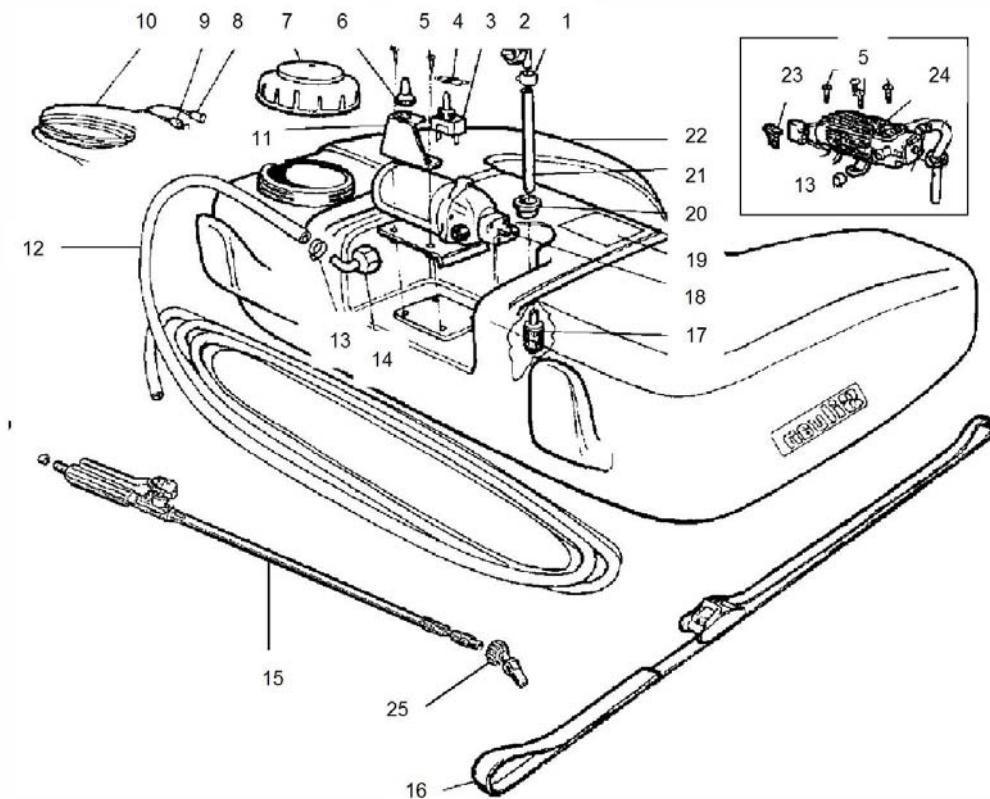









50L QUADBIKE



| |  | Code | Description | Qty | Note | EAN CODE |
|---|---|--------------|------------------------------------|------------|-------------|-----------------|
| 1 |  | 187-MH05 | HOSE CLAMP SUIT10MM HOSE | 1,00 | | 9327602014961 |
| 2 |  | 361-234-3916 | ADAPTOR-SWIVEL ELBOW 1/2X3/8T | 1,00 | | 0000000323413 |
| 3 |  | 118-085 | SWITCH TOGGLE ON/OFF HEAVY DUTY | 1,00 | | 9327602040663 |
| 4 |  | 118-093 | ***PLATE ON/OFF SUIT TOGGLE SWITCH | 1,00 | | 9327602107144 |
| 5 | | SPKHI/LO | SCREW HI LOW 11-16X1.093 | 4,00 | | 9327602032149 |

| | | | | | |
|----|---|---------------|---------------------------------|------|---------------|
| 6 |  | 118-089 | ***BOOT-SWITCH | 1,00 | 9327602041745 |
| 7 |  | 382-004 | LID FOR 50L 100L WEEDPAK RAKPAK | 0,00 | 9327602176805 |
| 8 |  | 118-103 | TERMINAL FEM BULLET | 1,00 | 9327602107328 |
| 9 |  | 118-102 | TERMINAL MALE BULLET | 1,00 | 9327602045095 |
| 10 |  | 118-047 | FLEX ELECTRIC 2CORE 4MM | 1,00 | 9327602030985 |
| 11 |  | 454-39 | *** SEE ASPAK003 | 0,00 | 9327602029255 |
| 12 |  | 186-8D | HOSE 8MM SILVAN AG DEL. BLACK | 0,00 | 9327602001688 |
| 13 |  | 187-MH05 | HOSE CLAMP SUIT10MM HOSE | 1,00 | 9327602014961 |
| 14 |  | 361-234-3916 | ADAPTOR-SWIVEL ELBOW 1/2X3/8T | 1,00 | 0000000323413 |
| 17 |  | 382-002 | FOOT FILTER WEEDPAK 8MM TAIL | 0,00 | 9327602176782 |
| 18 |  | 361-8000 | PUMP 60PSI 6.8LPM 12VDC | 1,00 | 9327602002210 |
| 19 |  | DEC48 | DECAL-WARNING-READ INST VEH CAP | 0,00 | 9327602054721 |
| 20 |  | 320-GR12TH | GROMMET | 1,00 | 9327602035591 |
| 21 |  | 186-8D | HOSE 8MM SILVAN AG DEL. BLACK | 0,00 | 9327602001688 |
| 22 |  | 382-014 | TANK 50L RAKPAK WITH LID | 1,00 | 9337027017782 |
| 23 |  | 118-137 | FUSE 5AMP BLADE | 1,00 | 0000000109031 |
| 25 |  | 38720-PPB-X18 | ADJ CONE JET ASSY | 1,00 | 9327602067745 |