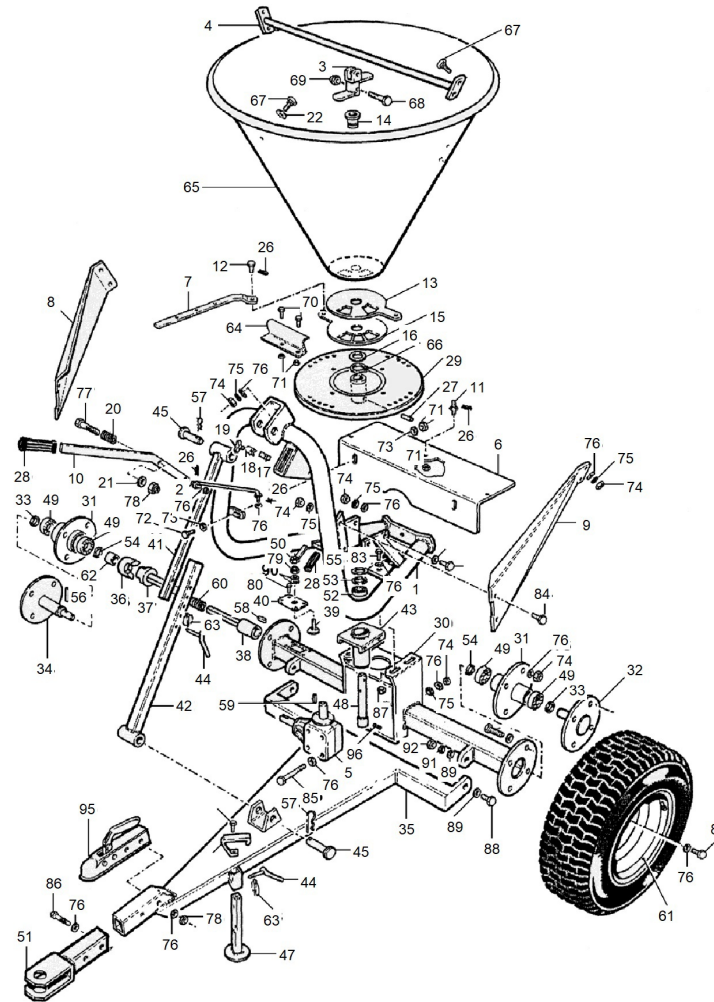


TS SERIES TRAILED SPREADER



TS SERIES TRAILED SPREADER

N.	Code	Description	Qty	EAN CODE
2	PA25-10-17	ADJUSTMENT BAR	1,00	9327602117693
3	XA25-10-02	AGITATOR	1,00	9327602035645
4	XA25-10-11	BAR-INNER HOPPER (XA/FS SERIES)	1,00	0000000284639
5	388-620042	GEARBOX ASSY 1-25AR 1:2.78	1,00	9327602159297
6	XA25-10-01	PROTECTION COVER	1,00	9327602035362
7	XA25-10-07	BAR FLOW ADJUSTMENT ROD REF22	1,00	9327602162389
8	XA25-10-08	SUPPORT-RIGHT SIDE	1,00	9327602144712
9	XA25-10-09	SUPPORT-LEFT SIDE	1,00	9327602144750
10	XA25-10-10	HANDLE	1,00	9327602162396
11	XA25-10-14	STUD-FIXING	1,00	9327602038738
12	PA25-10-14	CLEVIS PEN	1,00	9327602058156
13	PA25-10-18	DOSING DISC 2 HOLE ZINC PLATED	1,00	9327602010413
14	PA25-10-16	STIRRER BUSH-GUIDE	1,00	9327602022140
15	PA25-10-19	DOSING DISC 3 HOLE ZINC PLATED	1,00	9327602010550
16	PA25-10-20	***WASHER USE PA25-10-21	1,00	9327602010949
17	PA25-10-24	FIXING SQUARE	1,00	9327602011793
18	PA25-10-25	INDICATOR	1,00	9327602058910
19	5449-06-16	BOLT M6X16	1,00	9327602018044
20	PA25-10-26	SPRING	1,00	9327602118416
21	PA25-10-27	BAKERLITE WASHER	1,00	9327602118447

TS SERIES TRAILED SPREADER

N.	Code	Description	Qty	EAN CODE
22	HM600092	WASHER (TAB 3 REF 45)	1,00	9327602053533
27	6873-08-40	PIN 8X40	1,00	9327602016897
29	PA25-10-10	SPREADING DISC PAINTED	1,00	9327602020641
30	388-400221	FRAME AXLE	1,00	9327602159150
31	388-400222	HUB WHEEL	2,00	9327602159167
32	388-400223	COUPLING FLANGE FREE WHEEL	1,00	9327602327405
33	388-400224	SPACER - WHEEL HUB	2,00	9327602319172
34	388-400225	COUPLING FLANGE DRIVE WHEEL	1,00	9327602319189
35	388-400226	DRAWBAR SUIT TS SPREADER	1,00	
36	388-400227	BUSH	1,00	9327602319196
37	388-400228	SHAFT OUTER KNOCK OFF	1,00	9327602159211
38	388-400229	SHAFT INNER KNOCK OFF	1,00	9327602159228
39	388-400230	CAM	1,00	9327602101814
40	388-400231	***PLATE USE HR400231	1,00	9327602333918
41	388-400232	ROD-ADJUSTMENT	1,00	9337027011957
42	388-400233	ROD-ADJUSTMENT	1,00	9337027011964
48	388-400239	SHAFT DISC	1,00	9327602159259
49	388-620043	BEARING	4,00	9327602319219
50	388-400240	LEVER	1,00	9327602333932
52	N0010227	BEARING-BALL	1,00	9327602082281

TS SERIES TRAILED SPREADER

N.	Code	Description	Qty	EAN CODE
53	C0019-33	SEAL-OIL	1,00	9327602089976
54	C3019-03	CIRCLIP-EXTERNAL	2,00	9327602082052
55	C3019-24	***OBS CIRCLIP-EXTERNAL	1,00	9327602083271
59	TR600556	KEY	1,00	9327602131712
61	388-620047	WHEEL ASSY-165/70R13	2,00	9327602218727
62	388-400243	BUSH	1,00	9327602319202
64	PA25-10-23	BLADE-DIST XA/FS PAINTED	4,00	9327602011663
66	7435-32-00	CIRCLIP-EXTERNAL	1,00	9327602021037
67	5732-10-25	***BOLT 10MX25	5,00	9327602119277
69	NM8NY	NUT NYLOC M8 ZP DIN985	0,00	9327602044364
70	BM8L16	BOLT ONLY 8X16 4.6 ZP	0,00	9327602048393
71	NM8	NUT HEX STD M8 ZP	0,00	9327602048973
72	BM8L20	BOLT ONLY 8X20 4.6 ZP	0,00	9327602022447
74	NM10	NUT HEX STD M10 ZP	0,00	9327602053816
75	WM10FT	WASHER FLAT 10 X 21 ZP	0,00	9327602034006
76	WM10SP	WASHER SPRING 10MM ZP	0,00	9327602008380
77	BM10L65	BOLT ONLY 10X65 4.6 ZP	0,00	9327602084889
78	NM10NY	NUT NYLOC M10 ZP DIN985	0,00	9327602032620
79	NM12	NUT HEX STD M12 ZP	0,00	9327602054196
83	BM10L20	BOLT ONLY 10X20 4.6 ZP	0,00	9327602013858

TS SERIES TRAILED SPREADER

N.	Code	Description	Qty	EAN CODE
84	BM10L25HT	BOLT ONLY 10X25 8.8 ZP	12,00	0000000174251
85	BM10L130HT	BOLT ONLY M10x130 8.8 ZP	4,00	0000000300957
86	BM10L75HT	BOLT ONLY 10X75 8.8 ZP	2,00	9327602007673
87	NM12	NUT HEX STD M12 ZP	0,00	9327602054196
88	BM16L45HT	BOLT ONLY 16X45 8.8 ZP	2,00	0000000174794
89	WM16FT	WASHER FLAT 16MM ID ZP	0,00	9327602032316
90	388-620052	SPRING	2,00	9327602333925
91	WM16FT	WASHER FLAT 16MM ID ZP	0,00	9327602032316
92	NM16	NUT HEX STD M16 ZP	0,00	9327602055193
95	HR620054	TOW HITCH BALL TYPE TS SPREADER	1,00	9327602318540