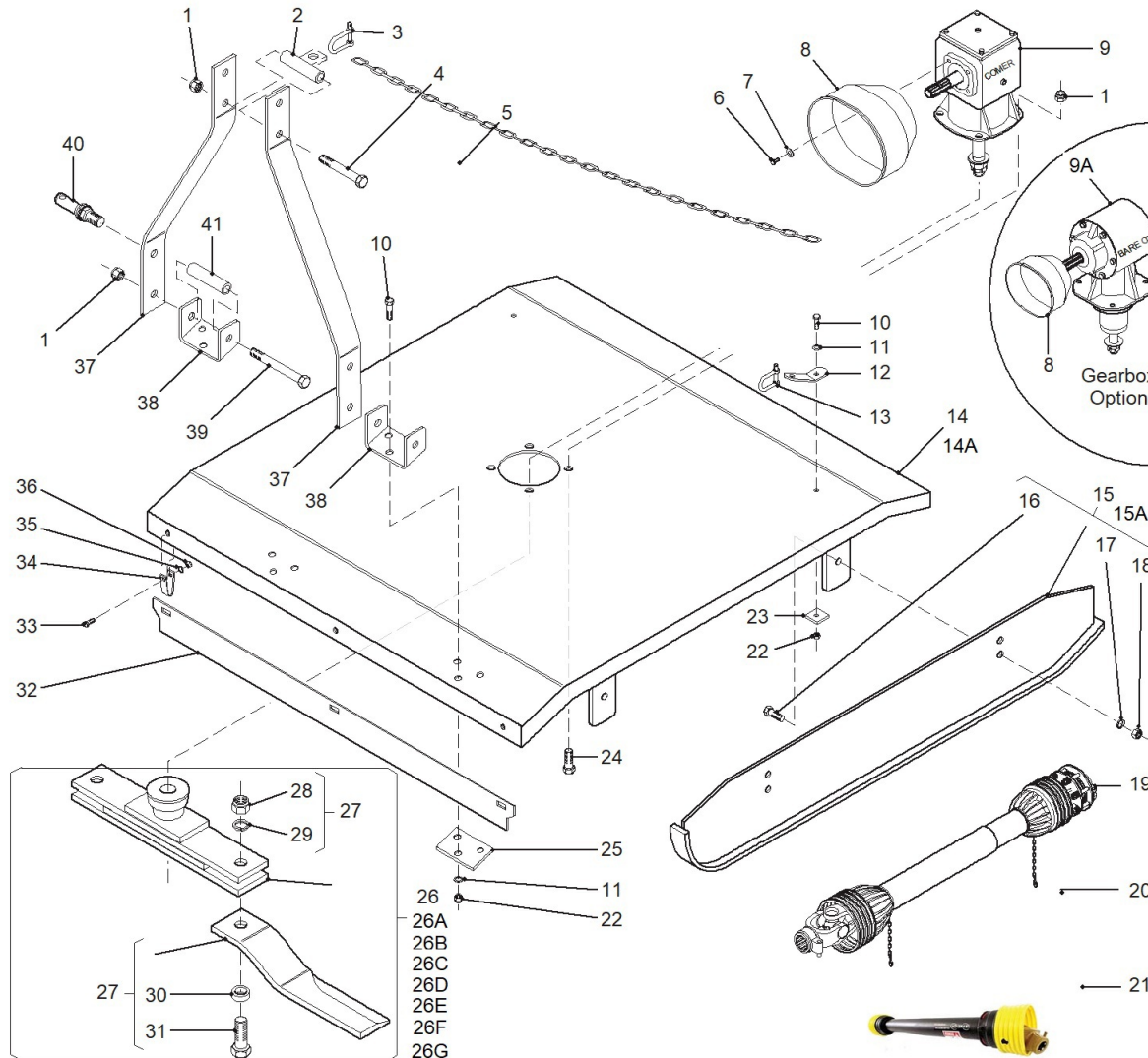


102 SERIES GP SLASHER



**SLASHER
GENERAL
PURPOSE**

Part No.
102 Series



102 SERIES GP SLASHER

N.	Code	Description	Qty	Note	EAN CODE
1	NM16NY	NUT NYLOC M16 ZP	7,00		9327602031432
2	ZZ454-410	LUG A FRAME CHAIN ATTACHMENT	0,00		0000000307949
3	JA-1609006	SHACKLE D COMMERCIAL 13MM 1/2 IN	0,00		0000000218559
4	BM16L110	BOLT M16X110 4.6 ZP	0,00		0000000174725
5	072-05	CHAIN 10MM GALV	1,00		0000000308304
6	BM8L16	BOLT ONLY 8X16 4.6 ZP	4,00		9327602048393
7	W3/8FT	WASHER FLAT 3/8 X 1 1/4 X 16G ZP	4,00		0000000283144
8	103-AS8209	SAFETY COVER SLASHER 200MM ROUND	1,00		9327602134973
9A	103-B2666	GEAR BOX SLASHER 40HP BARE-CO	1,00	BARE CO BOX	0000000107129
9	LF-205J	GEARBOX SLASHER 40HP	1,00		0000000249157
10	BM12L40	BOLT ONLY 12X40 4.6 ZP	8,00		0000000174527
11	WM12SP	WASHER SPRING 12MM ZP	6,00		9327602007680
12	ZZ454-408	LUG DECK CHAIN CONNECTION	0,00		0000000308229
13	JA-1609005	SHACKLE D COMMERCIAL 10MM 3/8 IN	0,00		0000000218542
14	ASDECK36GP	DECK PAINTED 3FT 6 GP SLASHER	1,00		0000000308373
14A	ASDECK5GP	DECK PAINTED 5FT GP SLASHER	1,00		0000000316057
15	ASSKID36GP	SKID ASSY 3FT 6 GP SLASHER	1,00		0000000308366
15A	ASSKID5GP	SKID ASSY 5FT GP SLASHER - PAIR	1,00		0000000316064
16	BM16L40	BOLT M16 X 40 4.6ZP	4,00		0000000174787
17	WM16SP	WASHER SPRING 16MM ZP	4,00		0000000283359

102 SERIES GP SLASHER

N.	Code	Description	Qty	Note	EAN CODE
18	NM16	NUT HEX STD M16 ZP	4,00		9327602055193
19	T400760F12	SHAFT PTO T40 QR F12 760CL	0,00		0000000278560
20	103-AB4075	SHAFT PTO 75CM 1.3/8 6SPL QR SER.4	0,00		0000000107037
21	103-B4164	CLUTCH 40HP 6IN	0,00		0000000107273
22	NM12NY	NUT NYLOC M12X1.75 DIN985	2,00		9327602032163
23	454-410	PLATE UNDER DECK CHAIN LUG SUPPORT	2,00		9327602175419
24	BM16L50	BOLT M16X50 4.6 ZP	4,00		0000000174800
25	ZZ454-411	PLATE UNDER DECK A-FRAME BRACKET	0,00		0000000308236
26	ASROTOR36LD-40B	ROTOR ASSY 3FT 6 BARECO 40HP	1,00	102RS36 BARE CO BOX	0000000305907
26A	ASROTOR36LD-40C	ROTORASSY 3FT 6 40HP COMER	1,00	102RS36 COMER BOX	0000000305914
26B	ASROTOR46LD-40B	ROTOR ASSY 4FT 6 BARECO 40HP	1,00	102RS4 BARE CO BOX	0000000169592
26C	ASROTOR46LD-40C	ROTOR ASSY 4FT 6 COMER 40HP	1,00	102RS4 COMER BOX	0000000169608
26D	ASROTOR4LD-40B	ROTOR ASSY 4FT BARECO 40HP	1,00	102RS46 BARE CO BOX	0000000169622
26E	ASROTOR4LD-40C	ROTOR ASSY 4FT COMER 40HP	1,00	102RS36 COMER BOX	0000000169639
26F	ASROTOR5LD-40B	ROTOR ASSY 5FT LD BARECO 40HP	1,00	102RS5 BARE CO BOX	0000000169684
26G	ASROTOR5LD-40C	ROTOR ASSY 5FT LD COMER 40HP	1,00	102RS5 COMER BOX	0000000169691
27	WBK1	BLADE KIT LIGHT MED DUTY	2,00		9327602029842
28	N7/8	***NUT 7/8 UNF	2,00		9327602055919
29	W7/8SP	***WASHER SPRING 7/8	2,00		9327602143241
30	103-001	BUSH SLASHER BLADE	2,00		9327602041127

102 SERIES GP SLASHER

N.	Code	Description	Qty	Note	EAN CODE
31	B7/8L2.12	BOLT 7/8 X 2.12 HT ZP UNF	0,00		9327602207905
32	ZZ454-415	PLATE GUARD 4FT GP SLASHER	0,00		0000000308564
33	BM10L30	BOLT ONLY 10X30 4.6 ZP	6,00		9327602016132
34	ZZ454-413	BRACKET HINGE PLATED	0,00		0000000308533
35	WM10SP	WASHER SPRING 10MM ZP	6,00		9327602008380
36	NM10	NUT HEX STD M10 ZP	6,00		9327602053816
37	ZZ102-412	A FRAME GEN PURP SLASHER ONE SIDE	0,00		0000000307413
38	ZZ454-407	BRACKET A-FRAME DECK MOUNT	0,00		0000000307925
39	BM16L170	***BOLT M16 X 170 4.6 ZP	0,00		0000000308632
40	103-B200	LINKAGE PIN CAT 1	0,00		9327602139862
41	ZZ454-412	PIPE NB15 LIGHT X 120MM	0,00		0000000308243