



Instruction Manual

MANJS012 REV A 23/07/13

MULTI-FUNCTION PORTABLE CAR JUMPSTARTER

JS012



SILVAN AUSTRALIA PTY. LTD.

ABN 48 099 851 144

VICTORIA (HEAD OFFICE)

Telephone: +61 (03) 9215 2700

Fax: +61 (03) 9215 2701

NEW ZEALAND

Hamilton, New Zealand

Telephone: +64 (07) 8496 033

Fax: +64 (07) 8496070

PLEASE READ THIS MANUAL CAREFULLY BEFORE USE

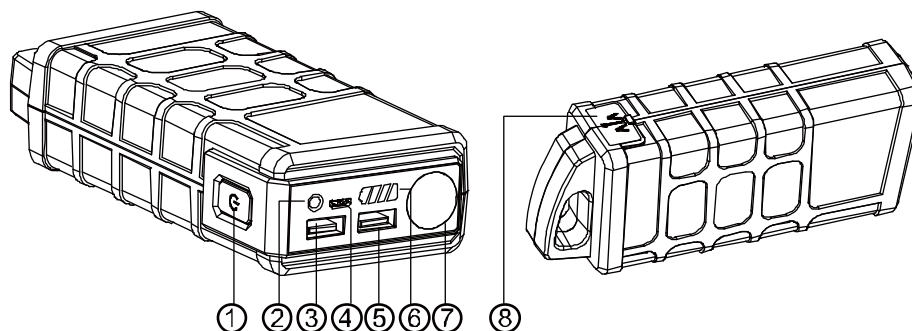
Thanks for choosing the multi-function jump starter. Please read this manual carefully before using and keep it for reference. This manual will help to operate device correctly, but it is not the introduction of the soft & hardware configuration. Any configuration of products, please refer to the related contract or consult with your distributor. The images in this manual are for reference only.

Safety and Maintenance:

- ★ Please follow the notice as below and read the user manual carefully
- ★ Please do not open this unit. Opening may break or damage components and will void the warranty.
- ★ Please do not place the product in high-intensity magnetic field to avoid the damage parts of components that may cause the product cannot work normally.
- ★ This is not water-proof products, please do not place it in wet conditions. To avoid heat, smoking, deformation, damage even exploding for battery, which is caused by short-circuit, please do not place the product into water.
- ★ Do not allow children to use this unit.
- ★ Please fix the product when you keep it in your auto trunk.
- ★ Please recharge the product every 6 month at least though you do not use it at all, if you can recharge it every 3 months, it is much better for battery life.
- ★ Please do not throw device into fire to avoid exploding.
- ★ Please deal with the dead product as rules, do not throw it away as normal rubbish to avoid exploding or contamination.

Attention:

- ★ This unit contains a lithium polymer battery. It is only use as emergency power, but it cannot instead of car battery. Always comply with transport and safety regulations in the use and disposal of such batteries.
- ★ When using the Jump Start function, do not allow the positive and negative poles to contact each other. This may cause sparking and result in a safety hazard and cause a short circuit of the unit.
- ★ When the car battery voltage is less than 3V, the Smart Boost cable will disable the Jump Start function.
- ★ Please operate the product in the temperature of -20°C to 60°C.






- | | |
|---|--------------------------------|
| 1.) Light MODE/Battery capacity inquiry | 5.) USB Output |
| 2.) DC 12V Charging input | 6.) Battery Capacity indicator |
| 3.) USB Output | 7.) LED Light |
| 4.) Micro USB Charging input | 8.) EC 5 Output / DUST Cover |

Battery Indicator:

Press the POWER key to turn ON the unit. The BATTERY CAPACITY indicator will be lighted up. If no device is connected to the unit it will be turned off automatically. Depress POWER key for 3 seconds to fully turn off the unit.

Light Mode:

Please press "  " button for 3 seconds to turn on the LED light and press "  " button again for 3 seconds to turn off the LED light and USB 5V output. In the light mode, press "  " button shortly for exchange among illumination, SOS, flashlight and turn off mode.

How To Jumpstart Your Vehicle?



This unit is designed for jump starting 12V car batteries only with a CC rating of 3500CC or less. Do not attempt to jump start vehicles with a higher battery rating, or different voltage.

If the vehicle does not start immediately, please wait for 1 minute to allow device to cool down. Do not try to restart the vehicle after three consecutive attempts as this may damage the unit. Check your vehicle for other possible reasons why it will not restart.

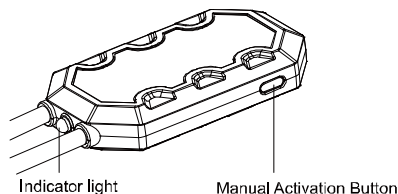
1. Connect the Smart Boost cable to the EC5 Port on the unit.
2. Connect the red battery clip to the battery positive pole (+) and the black clip to the negative battery pole (-).
 - Green light FLASHING on the Smart Boost cable - Jump Start unit is on standby status.
 - Green light CONSTANT - a valid connection exists between the unit and the battery, and the car can be started.
 - Red light FLASHING – Jump Start battery capacity is low and needs to be charged.
 - Red light CONSTANT – Output has been cut due to (a) Short circuit, (b) Over current, (c) Over temperature, (d) Over voltage and / or (e) Reverse connection. Disconnect Smart Boost cable from unit and battery to reset.
3. Turn your ignition key to start engine. Please implement this action within 1minute. Otherwise the Smart Boost cable will cut output automatically, and booster cable will need to be reset.
4. Once the engine has started, please disconnect the Smart Boost cable from the unit immediately and remove the clips from the battery.



- While the green indicator light is on – the jump starter is active – do not disconnect the battery clamps from the battery to avoid electric shock.
- Once engine has started FIRST remove the smart booster cable from the unit. THEN remove clips from the car battery.



Manual Activation Mode

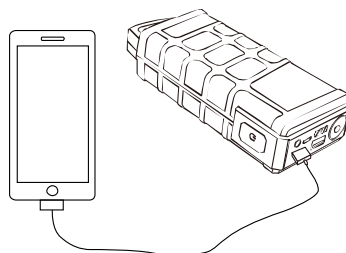


- The manual activation mode must only be used by experienced mechanics.
- Exercise extreme caution! Reverse polarity protection disabled.
- ACTIVATION button on the Smart Boost cable. The jump starter as per the procedure above.

PLEASE NOTE CAREFULLY:

- Make sure that the unit is NOT connected to the car battery before using the MANUAL ACTIVATION function.
- Ensure that the clips are connected to the correct battery poles as the reverse polarity protection is DISABLED. Also, do not connect the unit to a car battery with voltage > 15V.

How To Charge Mobile Phone?



1. We recommend that you use the charging cable supplied with your original product.
2. Plug the USB port of the charging cable into the USB 5V output port.
3. Connect the mobile charging adaptor to your phone, or other similar device.
4. Press the power switch, and the charging will start.

How To Recharge This Unit?

This unit can be charged using either a 12V AC adaptor (12V/1A), or a Micro USB (5V/1A):

- Do not attempt to charge the unit using both methods at the same time. This will damage the unit.
- When recharging using AC power, only use the 12V AC adaptor supplied with this unit.

Using the 12V AC adaptor, it will take approximately 5 hours to fully charge the unit. To extend the battery life, it is recommended to fully charge the unit every 3 – 6 months. Once the unit is fully charged, or is not under load, it will enter an auto sleeping mode to save power. However, we recommend turning off the unit when it is not in use.

How To Use The LED Lights?

Press the POWER switch to turn on the white LED light. Further holding down the Power switch will cycle between SOS and Flashing modes.

Specifications

| | |
|----------------------------|---|
| Battery Capacity | 12000mAh |
| Cycle Life | >300 times |
| EC5 Output | 8-12V /600A(max) Peak Cranking Power |
| USB Output | USB:5V/2.1A(max) |
| DC Charging Input | DC :12V/1A Micro USB:5V/1A |
| Charging Time | DC 12V: ~4-5h (12V @ 1A charging current) |
| | Micro USB: ~9-10h (5V @1A charging current) |
| LED Light Power | White:1W |
| Working Temperature | -20°C-60°C |
| Storage Temperature | -20°C-60°C |
| Net Weight | 400g |
| Unit Size (LxWxH) | 167x72x38 mm |